



BEAMZ
MADE
EAZY

150.440 V1.1

PANTHER 80

QUICK START GUIDE

POWERSUPPLY

On the label on the backside of the unit is indicated on this type of power supply must be connected. Check that the mains voltage corresponds to this, all other voltages than specified, the light effect can be irreparably damaged. The product must also be directly connected to the mains and may be used. No dimmer or adjustable power supply.

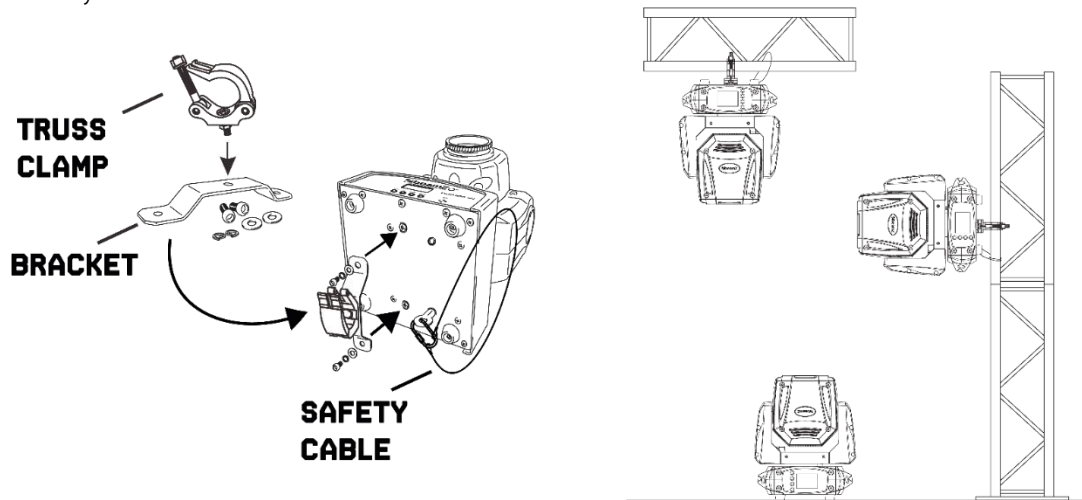


WARNING! Always connect the unit to a protected circuit (circuit breaker or fuse). Make sure the unit has an appropriate electrical ground to avoid the risk of electrocution or fire.

RIGGING

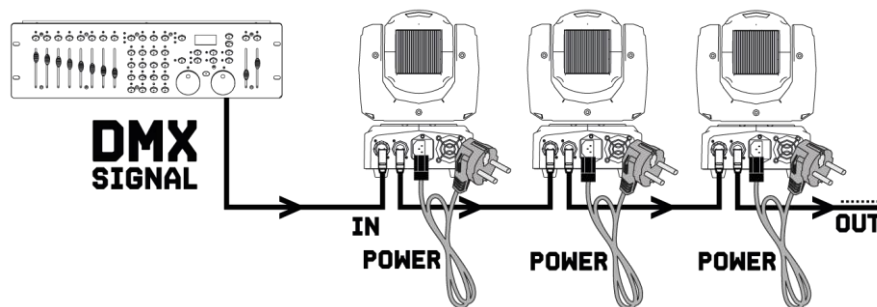
The unit may be set up on a stable and even surface. By means of the fixing facilities of the baseplate, the unit can also be mounted upside down to a truss, see below picture. For fixing, certified clamps with correct safe working load are required. According to the figure, the quick lock bolts of the omega brackets are placed into the openings provided in the base plate and turned clockwise until they lock (to the stop). The mounting place must be of sufficient stability and be able to support a weight of 10 times of the unit's weight. Secure the unit with a safety cable so that it cannot fall down.

When carrying out any installation, always comply European and national guidelines concerning rigging, truss and all other safety issues. Always let the installation checked out by an authorized dealer!

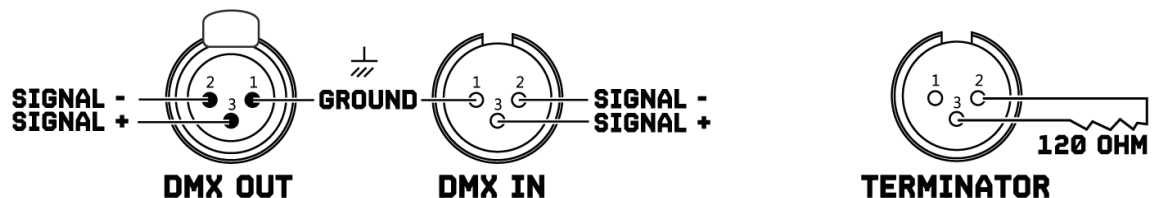


DMX512 CONTROL

If you are using a standard DMX controller, you can connect the DMX output of the controller directly to the DMX input of the first unit in a DMX chain. Always connect the output of one unit with the input of the next unit until all units are connected.



CAUTION! At the last unit, you must close the DMX line with a terminating resistor. Take an XLR connector and solder a 120 Ohm resistor between signal (-) and signal (+) and connect it to the DMX output of the last unit in the line.



REMOTE CONTROLLER

BUTTON	FUNCTION
ON	ON
OFF	OFF
DMX	DMX Mode
AUTO	Auto Running Mode
SPEED+	Auto Running Speed up
SPEED-	Auto Running Speed down
VOICE	Sound Control Mode
MIC+	Sound Sensitive +
MIC-	Sound Sensitive -
1	Red
2	Green
3	Blue
4	White
5	UV



CONTROL MENU

MENU	DESCRIPTION
A000-A512	DMX address setting
A1.1 - A1.9	Internal program 1-9 Auto program
S1.1 - S1.9	Internal sound program Sound program, 1-9 means sensitive

DMX CHANNELS

CHANNEL	FUNCTION	VALUE	DESCRIPTION
1	Pan	000-255	0-540degree movement
2	Tilt	000-255	0-180degree movement
3	Pan/Tilt Speed	000-255	Pan/Tilt Speed from fast to slow
4	Lens Wheel Rotation	000-127	0-360degree rotate
		128-191	Forward endless rotate from slow to fast
		192-255	Reverse endless rotate from slow to fast
5	Dimmer	000-255	Linear dimmer from dark to brighter
6	Strobe	000-009	No function
		010-255	Strobe from slow to fast
7	Red	000-255	Red dimmer from dark to brighter
8	Green	000-255	Green dimmer from dark to brighter
9	Blue	000-255	Blue dimmer from dark to brighter
10	White	000-255	White dimmer from dark to brighter
11	Mode	000-050	CH1-CH10 Valid
		051-150	Random Auto Running
		151-255	Sound Control
12	Reset	000-250	None
		251-255	Reset after 3s



BEAMZ

**YOUR FUTURE
YOUR SKILLS
YOUR PLATFORM
YOUR PARTY
YOUR EVENT**



is a leading developer of lighting products, including intelligent DMX moving heads, wireless battery operated DMX effects, static washes, sound-activated club effects, strobes & blacklights, LED lighting, fog and special effects machines, lasers and indoor and outdoor architectural lighting, as well as lighting controllers and protective bags.

