



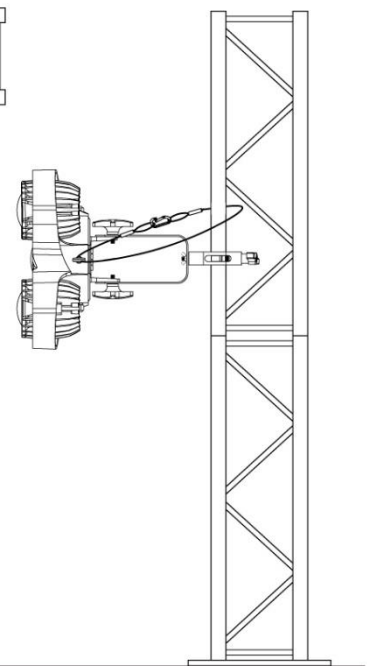
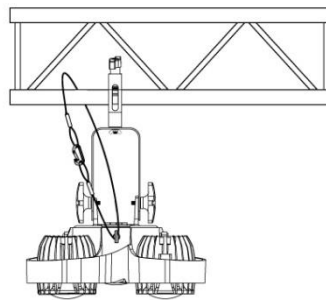
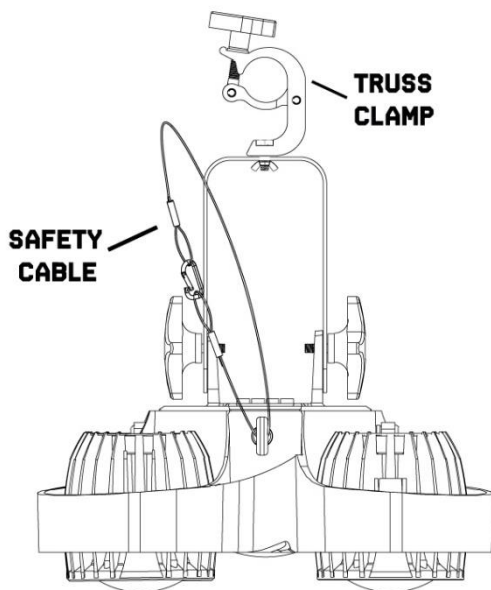
**BEAMZ**  
**MADE**  
**EAZY**

150.454 V1.1

**SB400IP BLINDER**  
**QUICK **START** GUIDE**

# CONTROL MENU

MENU		DESCRIPTION
<b>DMX ADDR</b>	A001-Axxx	DMX address setting 8 channels
	D001-Dxxx	DMX address setting 4 channels
<b>AUTO</b>	CC00-CC99	Jump mode from slow to fast
	CP00-CP99	Fade mode from slow to fast
	DE00-DE99	Pulse mode from slow to fast
<b>SOUND</b>	BEB1	Sound active LEDs random mode
	BEB2	Sound active all LEDs mode
<b>MANUAL</b>	R000-R255	Dimmer LED 1
	G000-G255	Dimmer LED 2
	B000-B255	Dimmer LED 3
	W000-W255	Dimmer LED 4
<b>DISPLAY</b>	ON / OFF	Display On/ Off
<b>TEMP</b>	Atxx	Temperature of each LED (xx = degrees in celcius ) Press up or down to show btxx, ctxx, dtxx,



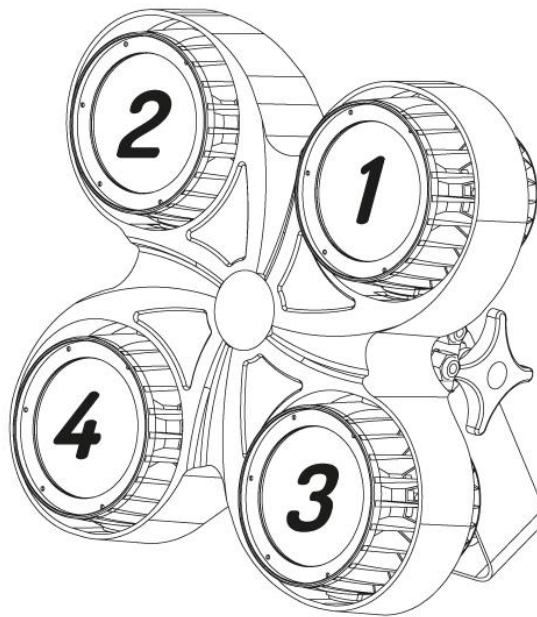
# DMX CHANNELS

## 4 CHANNELS

CHANNEL	FUNCTION	VALUE	DESCRIPTION
1	Dimmer	000-255	Dimming Led 1
2		000-255	Dimming Led 2
3		000-255	Dimming Led 3
4		000-255	Dimming Led 4

## 8 CHANNELS

CHANNEL	FUNCTION	VALUE	DESCRIPTION
1	Master dimmer	000-255	Master Dimming
2	Dimmer	000-255	Dimming Led 1
3		000-255	Dimming Led 2
4		000-255	Dimming Led 3
5		000-255	Dimming Led 4
6	Strobe	000-255	Strobe from slow to fast
7	Macro	000-050	No function
		051-100	Jump mode from slow to fast
		101-150	Fade mode from slow to fast
		151-200	Pulse mode from slow to fast
		201-225	Sound active mode, flash randomly
		201-255	Sound active mode, flash all 4 LEDs
8	Speed	000-255	If CH7=0-50, speed for dimming If CH7=51-200, speed for macro from slow to fast If CH7=201-255, sensitive for Sound active





# BEAMZ

**YOUR FUTURE  
YOUR SKILLS  
YOUR PLATFORM  
YOUR PARTY  
YOUR EVENT**



offers a wide range of high performance lighting equipment and related accessories for the rental, entertainment and architectural lighting markets. BeamZ Pro stands for performance, innovation and value pricing!

