



BEAMZ
MADE
EAZY

153.687 V1

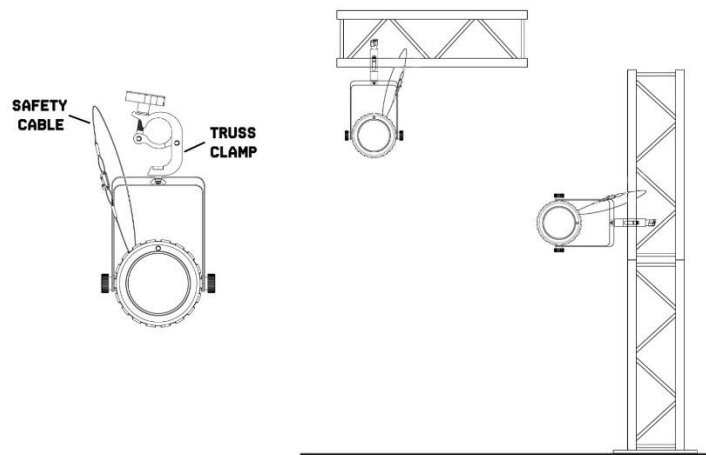
MOON FLOWER

QUICK **START GUIDE**

RIGGING

The unit may be set up on a stable and even surface. By means of the fixing facilities of the baseplate, the unit can also be mounted upside down to a truss, see below picture. For fixing, certified clamps with correct safe working load are required. According to the figure, the quick lock bolts of the omega brackets are placed into the openings provided in the base plate and turned clockwise until they lock (to the stop). The mounting place must be of sufficient stability and be able to support a weight of 10 times of the unit's weight. Secure the unit with a safety cable so that it cannot fall down.

When carrying out any installation, always comply European and national guidelines concerning rigging, truss and all other safety issues. Always let the installation checked out by an authorized dealer!



REMOTE CONTROLLER

BLACK OUT MODE

Press **<BLACK OUT>** off existing modes. Press **<BLACK OUT>** return the last modes.

AUTO MODE

Automatic mode will enable you to run the automatic programs on the product.

To turn on Automatic mode:

1. Press **<AUTO>** on the remote controller.
2. Press **<+>** or **<->** to choose between the different auto programs.

SOUND MODE

Sound-Active mode will enable the product to respond to the music.

To turn on Sound-Active mode:

1. Press **<SOUND>** on the remote controller.
2. Press **<+>** or **<->** to choose between the different sound programs.

STROBE MODE

To adjust the strobe speed of the automatic program and the sound active program.

1. Press **<STROBE>** on the remote controller.
2. Press **<+>** or **<->** to either increase or decrease the speed of the program.
3. Press **<STROBE>** again to turn off the strobe.

SPEED MODE

To adjust the speed of the automatic program and the sound active program.

1. Press **<SPEED>** on the remote controller.
2. Press **<+>** or **<->** to either increase or decrease the speed of the program.

SENSITIVITY MODE

To adjust sound sensitivity for in Sound-Active mode

1. Press **<SENSITIVITY>** on the remote controller.
2. Press **<+>** or **<->** to either increase or decrease sound sensitivity.

DMX / % MODE

To enable DMX or disallow DMX on the product.

Press **<DMX>** on the remote controller, the product work on the DMX controlling modes.

MANUAL MODE

1. Press **<MANUAL>** on the remote controller.
2. Press **<R>**, **<G>**, ****, **<W>**, **<A>**, (red, green, blue, white or amber) to choose your colour.
3. Press again **<R>**, **<G>**, ****, **<W>**, **<A>**, (red, green, blue, white or amber) to close your colour.
4. Press **<+>** or **<->** to either increase or decrease the percentage of each colour.



DMX CHANNELS

CHANNEL	FUNCTION	VALUE	DESCRIPTION
1	Strobe	000-009	No function
		010-255	Stroboscope from slow to fast
2	Colour	000-009	No function
		010-019	Red
		020-029	Green
		030-039	Blue
		040-049	White
		050-059	Amber
		060-069	Red+ Green
		070-079	Green + Blue
		080-089	Blue + White
		090-099	Red + Amber
		100-109	Red + Blue
		110-119	Green + White
		120-129	Blue + Amber
		130-139	Red + White
		140-149	Red + Green + Amber
150-255	Red + Green+ Blue + White + Amber		
3	Mode	000-009	No function
		010-019	Auto program1
		020-029	Auto program2
		030-039	Auto program3
		040-049	Auto program4
		050-059	Auto program5
		060-069	Auto program6
		070-079	Auto program7
		080-089	Auto program8
		090-099	Sound Program1
		100-109	Sound Program2
		110-119	Sound Program3
		120-129	Sound Program4
		130-139	Sound Program5
		140-149	Sound Program6
150-159	Sound Program7		
160-255	Sound Program8		
4	Speed	000-255	Auto and Sound program speed (Slow-fast)



BEAMZ

YOUR FUTURE
YOUR SKILLS
YOUR PLATFORM
YOUR PARTY
YOUR EVENT



is a leading developer of lighting products, including intelligent DMX moving heads, wireless battery operated DMX effects, static washes, sound-activated club effects, strobes & blacklights, LED lighting, fog and special effects machines, lasers and indoor and outdoor architectural lighting, as well as lighting controllers and protective bags.

